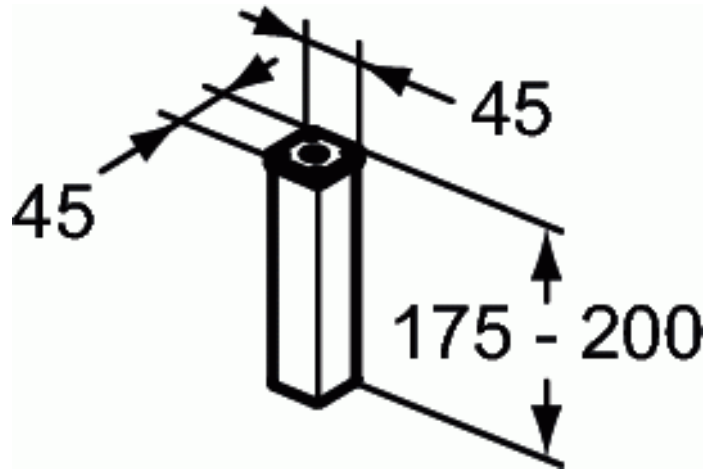


CONCEPT

Small individual furniture leg



Small individual furniture leg
Concept Space small individual furniture leg

COLOURS*



* 67 = Neutral