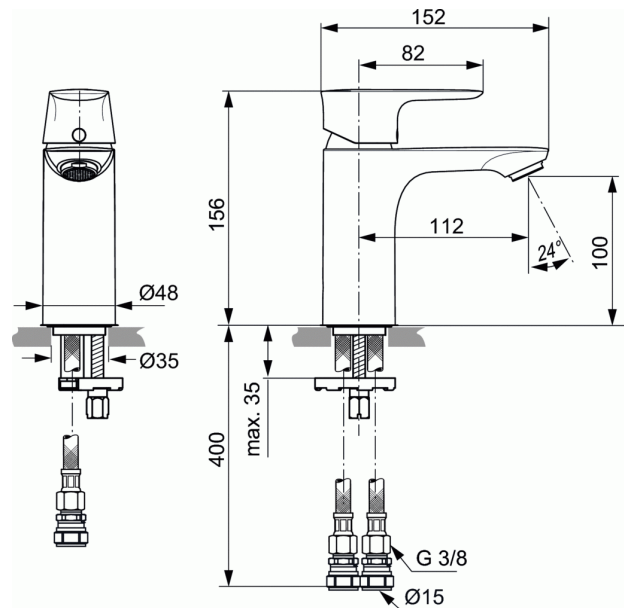


CONCEPT AIR

Project Basin Mixer



Project Basin Mixer

Perfect for new build residential and prestige commercial projects|Equipped with pre-fitted 5lpm eco flow regulator to save water and energy|Easyfix system allows faster, hassle free installation|Made in Germany|Flexible tails to simplify installation with 15mm compression connections|5 year guarantee

Concept Air Project Basin Mixer

COLOURS*



* AA = Chrome

NORMS AND BENEFITS

