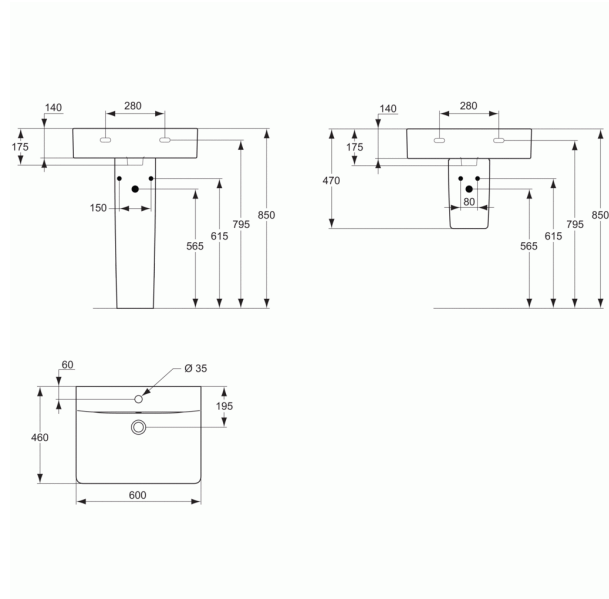


CONNECT Washbasin Cube 60 cm



Washbasin Cube 60 cm

One tap hole and overflow

In carton box

EN 14688

For assembly with: pedestal, semi-pedestal large

Recommended equipment:

- Floor standing pedestal (E797301)
- Semi-pedestal, large (Including fixation set TT0257919) (E797401)
- Fixation set M10 x 140 mm (WW965340)
- Siphon waste G1 1/4 - tubular type (A2305AA)
- Stop angle valve (water connection G1/2, connection with mixer 10 mm/ G3/8) - 1 pc (B7883AA)
- Escutcheon for siphon G1 1/4 (in case installation with mixer without pop-up waste) (B4801AA)

FINISHES*



* 01 = Euro White, MA = Euro white Ideal Plus

KEY FEATURES & BENEFITS

